

GoCard

Transfer foil printers for single cards



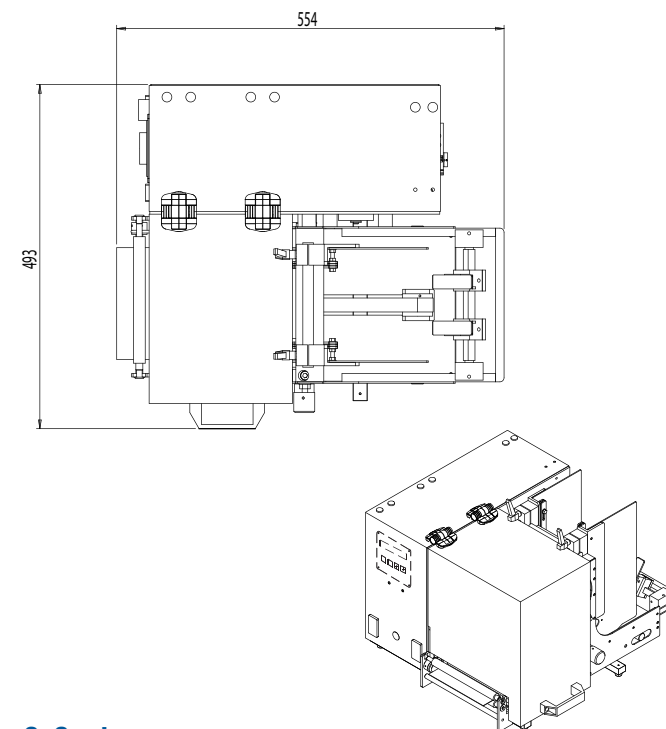
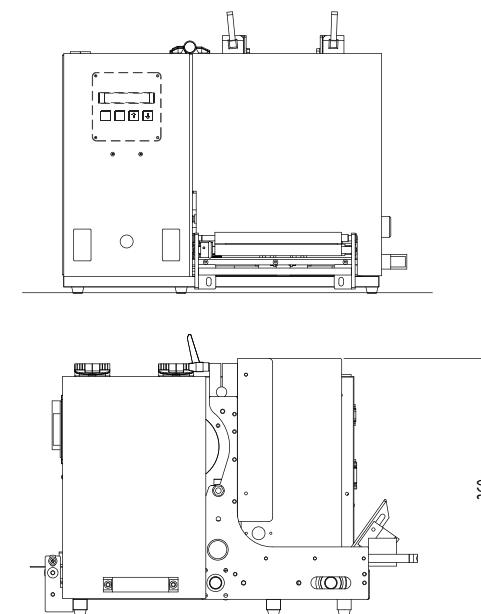
Transfer foil printer

Flexible and versatile, GoCard is a desktop thermal printer which prints easily on cards and carton pieces of different sizes, dimensions and shapes.

The cards are stored and fed by the back stacker through a feeding system; once they reach the print position, the printer overprints texts, barcodes, and variable data with an extreme print quality and efficacy.

GoCard is particularly used in the food industry, in fashion, gardening and many more sectors.

Etipack reserves the right to modify according to the technical evolution, without notice. All the rights of intellectual and technological ownership are reserved.



TECHNICAL SPECIFICATIONS

GoCard

Resolution	12 dots/mm
Maximum print speed	150 mm/s
Print area width	107 x 195 mm
Minumum card size	75 x 50 mm
Maximum card size	160 x 200 mm
Maximum stacker capacity	250 mm
Minumum and Maximum weight	80 - 200 g/m ²
Ribbon length	600 m
Memory	RAM 256 MB - 512 MB
Interfaces	Ethernet - RS 232
Machine size length - width - h	554 x 493 x 369 mm
Weight	30 Kg